

MOUNTING AND OPERATING INSTRUCTIONS



EB 8367 EN

Translation of original instructions



Type 4744 Electric Limit Switch For hazardous areas

Edition June 2015

CE Ex
certified

Note on these mounting and operating instructions

These mounting and operating instructions assist you in mounting and operating the device safely. The instructions are binding for handling SAMSON devices.

- For the safe and proper use of these instructions, read them carefully and keep them for later reference.
- If you have any questions about these instructions, contact SAMSON's After-sales Service Department (aftersaleservice@samson.de).



The mounting and operating instructions for the devices are included in the scope of delivery. The latest documentation is available on our website at www.samson.de > **Service & Support** > **Downloads** > **Documentation**.

Definition of signal words

DANGER

Hazardous situations which, if not avoided, will result in death or serious injury

WARNING

Hazardous situations which, if not avoided, could result in death or serious injury

NOTICE

Property damage message or malfunction

Note

Additional information

Tip

Recommended action

1	General safety instructions	4
2	Markings on the device	5
2.1	Nameplate	5
2.2	Article code.....	5
3	Design and principle of operation	6
3.1	Versions	6
3.2	Principle of operation	6
3.3	Technical data	8
3.4	Summary of explosion protection approvals	9
4	Attachment according to IEC 60534-6 (NAMUR)	10
4.1	Attachment of Type 4744-1	10
4.2	Attachment of Type 4744-2	10
5	Electrical connections	13
5.1	Connection with type of protection Ex d according to EN 60079-1	13
5.2	Connection with type of protection Ex e according to EN 60079-7.....	14
5.3	Cable entry	14
6	Operation	15
6.1	Adjusting the switching point	15
7	Servicing explosion-protected devices	16
8	Disposal	17

1 General safety instructions

For your own safety, follow these instructions concerning the mounting, start-up and operation of the device:

- The device is to be mounted, started up or operated only by trained and experienced personnel familiar with the product. According to these mounting and operating instructions, trained personnel refers to individuals who are able to judge the work they are assigned to and recognize possible dangers due to their specialized training, their knowledge and experience as well as their knowledge of the applicable standards.
- Explosion-protected versions of this device are to be operated only by personnel who has undergone special training or instructions or who is authorized to work on explosion-protected devices in hazardous areas.

To avoid damage to any equipment, the following also applies:


- Proper shipping and storage are assumed.

i Note

Devices with a CE marking fulfill the requirements of the Directive 2014/34/EU and the Directive 2014/30/EU. The Declaration of Conformity is available on request.

2 Markings on the device

2.1 Nameplate

SAMSON 4744			
Electric Limit Switch			
Model 4744-	<input type="text" value="1"/>		
Var.-ID	<input type="text" value="2"/>	Serial no.	<input type="text" value="6"/>
Protection	<input type="text" value="3"/>		
Max. Travel	<input type="text" value="4"/>	mm	
Temperature	<input type="text" value="5"/>	°C	
SAMSON AG D-60314 Frankfurt		Made in Germany	

- 1 Article code
- 2 Configuration ID
- 3 Degree of protection
- 4 Rated travel
- 5 Permissible ambient temperature
- 6 Serial number

2.2 Article code

Electric limit switch	Type 4744-	x	0	0	x	1	0	0	x
Attachment									
To NAMUR rib		1			4/5				1
To rods for Type 3372 Actuator		2			1				
Implementation									
Without switches			0	0	3				
One changeover switch			0	0	1				
Two 8070/1-2-S switches			0	0	4				1
One 8070/1-2-S switch			0	0	5				1
Special version									
Without									0
EAC approval Ex de									1

3 Design and principle of operation

The limit switch is attached to pneumatic control valves and issues a limit signal whenever the valve travel exceeds or falls below a certain adjusted limit, especially when a valve has reached one of its end positions. This signal is suitable for transferring control signals, for example to activate visible or audible alarms as well as for connection to centralized control or alarm systems.

3.1 Versions

Type 4744

- Limit switch with type of protection: flameproof enclosure. See section 3.4 on page 9.

Electric limit switch with one or two overridable limit contacts. Each contact is equipped with one NC contact and one NO contact, acting as a snap-action switch, which can also be switched as a single pole, double throw switch (SPDT).

Type 4744-2

- Type of protection: flameproof enclosure. See section 3.4 on page 9.

Limit switch with one limit contact for mounting to the rod-type yoke of Series V2001 valves.

3.2 Principle of operation

→ Refer to Fig. 2

Type 4744

The valve travel is transmitted over the lever (1) to the adjusting lever (3) of the limit switch unit mounted to the control valve. This lever actuates the snap-action contact of one of the limit contact (2) when the valve travel reaches the adjusted limit. It can be overridden and is equipped with an overrange protection. For the initial adjustment of the limit (switching point), the limit contact (2) is shifted on the base plate. The adjustment screw (4) is used for fine adjustment.

The terminal connection determines whether the limit contact is used either as an NO contact, an NC contact or a double-throw contact.

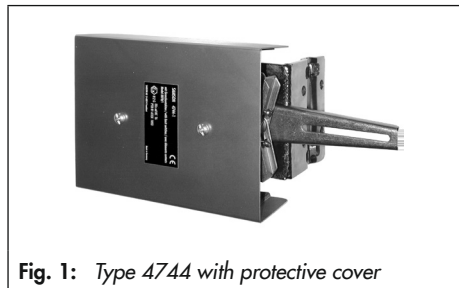
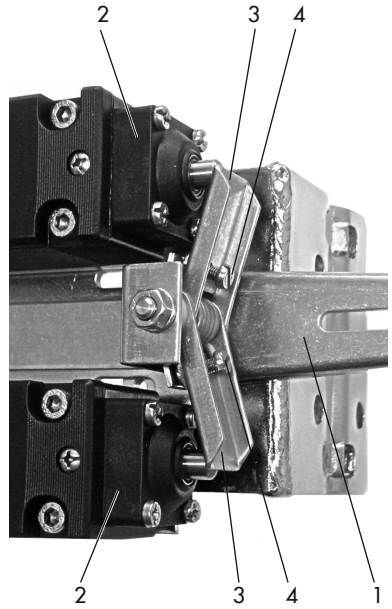
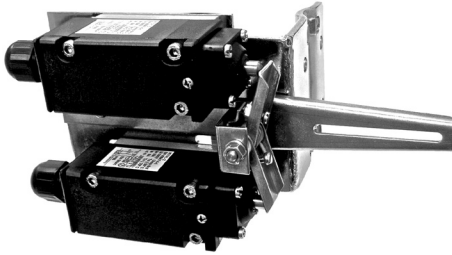


Fig. 1: Type 4744 with protective cover

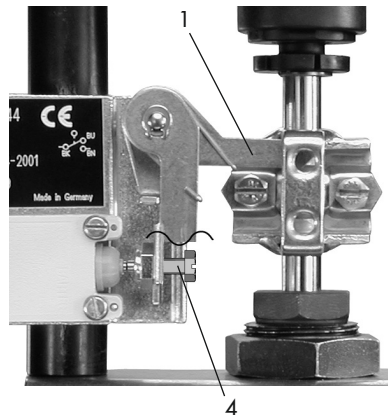
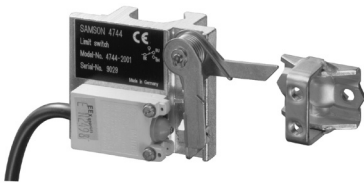
Type 4744-2

The valve travel is transferred over the stem connector of the valve to the lever (1) of the limit contact. The switching point can be finely adjusted at the adjustment screw (4).

Type 4744 with two limit contacts



Type 4744-2



- 1 Lever
- 2 Limit contact
- 3 Adjusting lever
- 4 Adjustment screw






Fig. 2: Functional depiction of Type 4744 and Type 4744-2

3.3 Technical data

Limit switch	Type	4744	4744-2
Limit contact		1 or 2	1
Type of protection		Flameproof enclosure, terminal space in increased safety	Flameproof enclosure
Load capacity (contact rating)	AC	500 V/10 A Utilization category AC-15	250 V/5 A
	DC	125 V/10 A 250 V/0.2 A Utilization category DC-12	250 V/0.4 A
Travel range		7.5 to 100 mm with extended lever up to max. 150 mm	15 mm
Permissible ambient temperature ¹⁾		-55 to +70 °C	-20 to +75 °C
Compliance		CE · EAC	
Degree of protection		IP 65	IP 66
Weight	kg (ap- prox.)	1.75	0.4
Enclosure material		Glass-fiber-reinforced polyester	Thermosetting polymer
Electrical connections		One M20x1.5 cable gland (for 6 to 13 mm clamping range) 0.2 to 2.5 mm ² screw terminals	3 m connecting cable (outside diameter: 6.6 mm, wire cross-section: 3 x 0.75 mm ²)

¹⁾ Observe the limits specified in the relevant certificate additionally when the limit switch is used in hazardous areas.

3.4 Summary of explosion protection approvals

Type	Certification			Type of protection/comments
4744	 EC type examination certificate	Number	DMT 01 ATEX E 178	II 2G Ex de IIC T6 Gb II 2D Ex tb IIIC IP65 T80°C
		Date	2015-06-12	
		Number	RU C-DE.HA65.B.00615/20	II 2G Ex de IIC T6/T5 Gb II 2D Ex tb IIIC T80°C/T95°C Db
Date		2020-06-08		
Valid until		2025-05-13		
4744-2	 EC type examination certificate	Number	PTB 00 ATEX 1093 X	II 2G Ex db IIC T6-T5
	Date	2000-12-07		
4744-3	 EC type examination certificate	Number	PTB 01 ATEX 1053	II 2 Ex de IIC T6 Gb
	Date	2001-08-09		
4744-4	 EC type examination certificate	Number	LCIE 03 ATEX 6308	II 2D Ex tb IIIC IP6X T80°C
	Date	2003-10-10		

4 Attachment according to IEC 60534-6 (NAMUR)

4.1 Attachment of Type 4744-1

→ Refer to Fig. 3

→ Mount the limit switch using the mounting parts (order no. 1400-5514) to the right or left side of the valve.

→ Mount the base plate and pin (4) in such the way that the lever (1) is in the horizontal position at mid-travel.

→ For travel larger than 100 mm: Travel extension (order no. 1402-0335) required.

1. Fasten the plate (2) to the U-bolt of the valve stem connector using the two countersunk screws (3).
2. Attach the pin (4) to the plate using the nuts (5).
3. Mounting the base plate of the limit switch:

For valves with cast yokes:

Place the base plate of the limit switch on the NAMUR rib and screw tight using screw (6) and washer (7).

For valves with rod-type yokes:

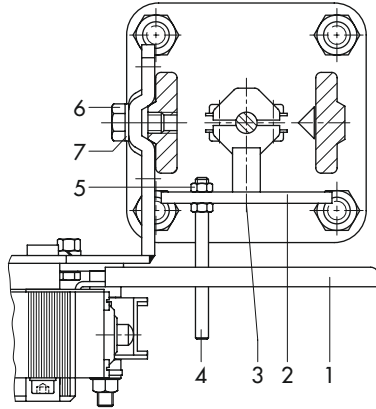
Place the base plate of the limit switch on the valve stem, align it and screw tight using U-bolt (8), nuts (10) and washers (9).

4.2 Attachment of Type 4744-2

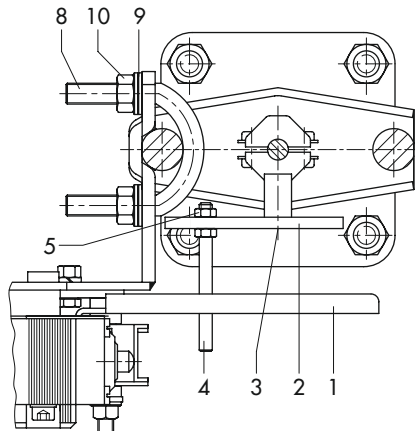
→ Refer to Fig. 4

1. Undo the clamps of the stem connector on the valve. Replace the front clamp with the stem connector clamp including the U-bolt (12) from the accessories of the limit switch.
2. Move the valve to the switching point at which the contact is to be activated.
3. Place the clamping plate (11) on the rod-type yoke and move it until the lever (1) rests on the U-bolt of the stem connector (12).
4. Align clamping plate (11) and secure it in place.

Valve with cast yoke



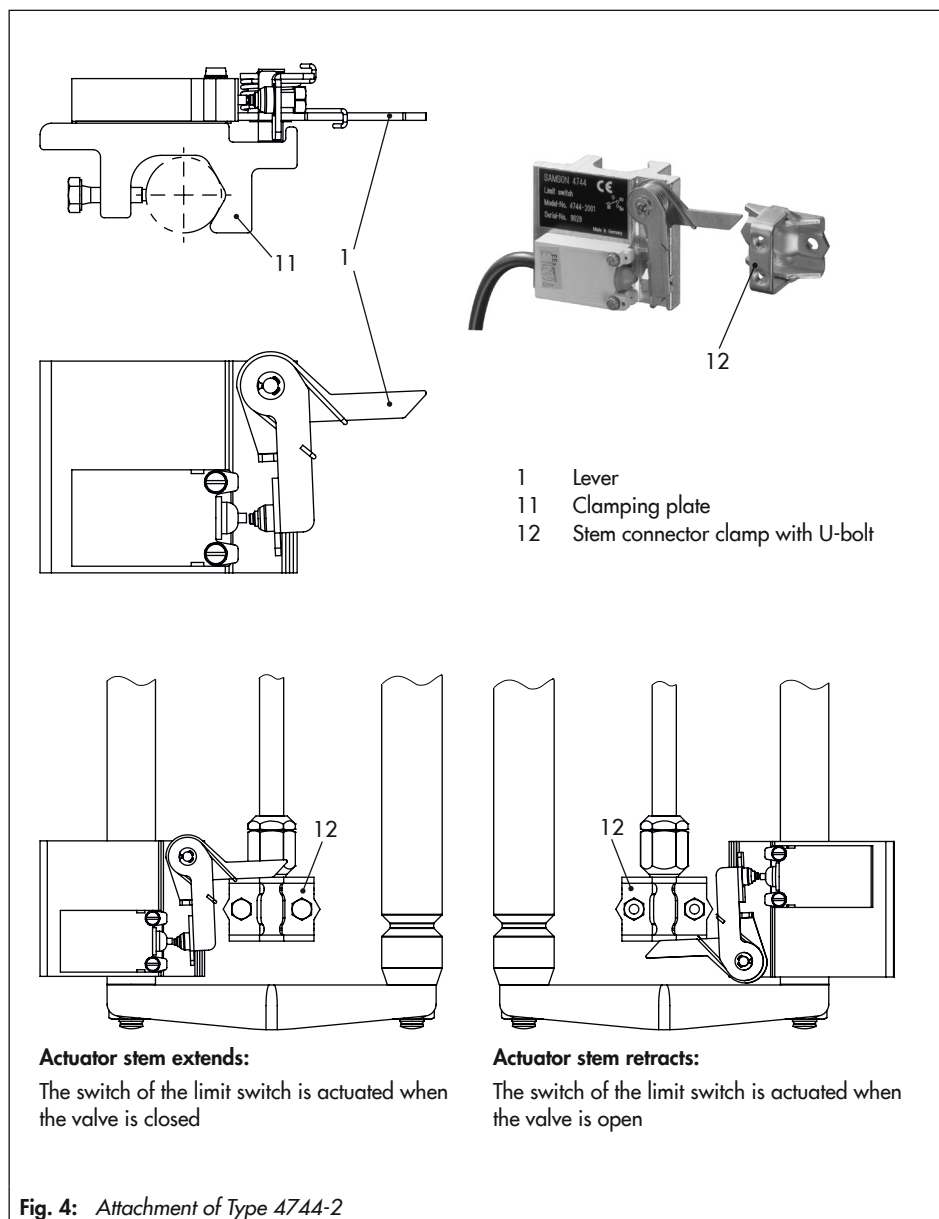
Valve with rod-type yoke



- 1 Lever
- 2 Plate
- 3 Screws
- 4 Pin
- 5 Nuts
- 6 Screw
- 7 Washer
- 8 U-bolt
- 9 Washer
- 10 Nut

Fig. 3: Attachment of Type 4744

Attachment according to IEC 60534-6 (NAMUR)



5 Electrical connections

⚠ DANGER

Risk of electric shock.

For electrical installation, observe the relevant electrotechnical regulations and the accident prevention regulations that apply in the country of use.

Valid regulations in Germany:

- VDE regulations
- Accident prevention regulations of the employers' liability insurance.

⚠ DANGER

Risk of fatal injury due to the formation of an explosive atmosphere.

For installation in hazardous areas, observe the relevant standards that apply in the country of use.

Valid standards in Germany:

- EN 60079-14: 2008 (VDE 0165, Part 1) Explosive Atmospheres – Electrical Installations Design, Selection and Erection.

⚠ WARNING

Incorrect electrical connection will render the explosion protection unsafe.

- Adhere to the terminal assignment.
- Do not undo the enameled screws in or on the housing.
- Do not exceed the maximum permissible values specified in the EC type examination certificates when interconnecting intrinsically safe electrical equipment (U_i or U_{0i} , I_i or I_{0i} , P_i or P_{0i} , C_i or C_0 and L_i or L_0).

5.1 Connection with type of protection Ex d according to EN 60079-1

- ➔ Connect the Type 4744 Limit Switch using suitable cable entries or conduit systems that comply with EN 60079-1, Clauses 13.1 and 13.2 and for which a separate test certificate is available.
- ➔ Do not use cable entries and blanking plugs of simple construction.
- ➔ For installation according to the type of protection Ex db, seal cable entries left unused with plugs certified for this purpose.
- ➔ Install the connecting cable properly so that it is protected against mechanical damage. If the temperature at the inlet parts exceeds 70 °C, use a temperature-resistant connecting cable.
- ➔ Include the Type 4744 Limit Switch in the on-site equipotential bonding system.

- The degree of protection (IP grade) of the cable entries and the blanking plug must be the same as that of the limit switch.
- Seal cable entries left unused with plugs.

5.2 Connection with type of protection Ex e according to EN 60079-7

- Only use cable entries and blanking plug which are certified for type of protection Ex e according to ATEX and which possess a separate test certificate.
- Use metal cable glands for ambient temperatures below $-20\text{ }^{\circ}\text{C}$.
- Only connect two cables with different cross-sections to one terminal after they have been secured with a common crimp sleeve.

5.3 Cable entry

Type 4744:

1. Unthread the fastening screws of the housing cover. Lift off the housing cover.
2. Route wires through the cable gland to the terminals as shown in Fig. 5.

Type 4744-2:

1. Connect as shown in Fig. 5 on the clamping plate.
2. The following applies:
Black (BK)/blue (BU)
→ Contact open
Black (BK)/brown (BN)
→ Contact closed

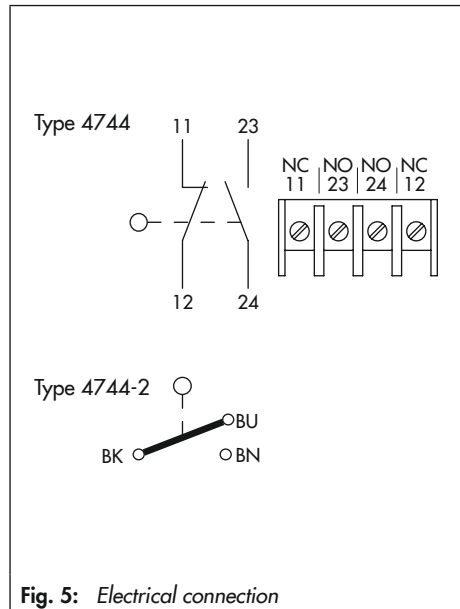


Fig. 5: Electrical connection

6 Operation

6.1 Adjusting the switching point

Type 4744

The limit switch unit mounted to the control valve is adjusted by the manufacturer to produce a signal when the valve travel reaches one of its end positions.

The switching point can also be adjusted to at any point within the travel range.

i Note

Switching points can only be activated when the valve travel is 1 mm with the smallest possible lever arm and when the valve travel is 4 mm with the largest possible lever arm.

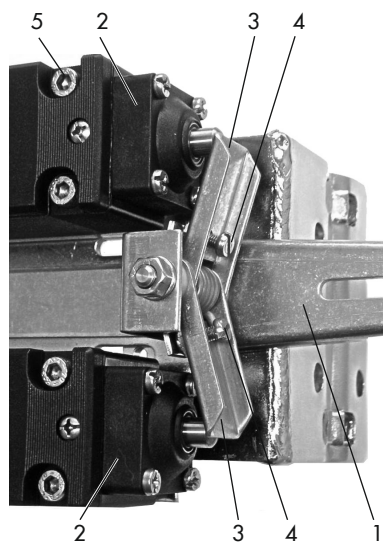
Adjusting the switching point

1. Move the valve to the position at which you want the switching point to be activated.
2. Undo the fastening screw (5) and move the limit contact (2) up to the switching point on the lever (3). Retighten the fastening screw (5).
3. Move the valve up and down close to the required switching position and make any fine adjustments to the exact switching point using the adjustment screw (4).

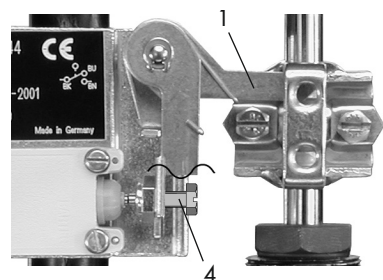
Type 4744-2

Move the valve up and down close to the required switching position and make any fine adjustments to the exact switching point using the adjustment screw (4).

Type 4744



Type 4744-2



- | | |
|---|------------------|
| 1 | Lever |
| 2 | Limit contact |
| 3 | Adjusting lever |
| 4 | Adjustment screw |
| 5 | Fastening screw |

Fig. 6: Adjusting the switching point

7 Servicing explosion-protected devices

If a part of the device on which the explosion protection is based needs to be serviced, the device must not be put back into operation until a qualified inspector has assessed it according to explosion protection requirements, has issued an inspection certificate, or given the device a mark of conformity. Inspection by a qualified inspector is not required if the manufacturer performs a routine test on the device before putting it back into operation. Document the passing of the routine test by attaching a mark of conformity to the device. Replace explosion-protected components only with original, routine-tested components by the manufacturer.

Devices that have already been operated outside hazardous areas and are intended for future use inside hazardous areas must comply with the safety requirements placed on serviced devices. Before being operated inside hazardous areas, test the devices according to the specifications for servicing explosion-protected devices.

Maintenance, calibration and work on equipment

- Only use intrinsically safe current/voltage calibrators and measuring instruments for interconnection with intrinsically safe circuits to check or calibrate the equipment inside or outside hazardous areas.
- Observe the maximum permissible values specified in the certificates for intrinsically safe circuits.
- Equipment used in explosive gas atmospheres in ambient temperature ranges corresponding to temperature class T4 or T5 may be used in explosive dust atmospheres after servicing only if a new O-ring has been inserted.

8 Disposal



SAMSON is a producer registered at the following European institution ► <https://www.ewrn.org/national-registers/national-registers>.
WEEE reg. no.:
DE 62194439/FR 025665

- Observe local, national and international refuse regulations.
- Do not dispose of components, lubricants and hazardous substances together with your other household waste.

i Note

We can provide you with a recycling passport according to PAS 1049 on request. Simply e-mail us at aftersaleservice@samsongroup.com giving details of your company address.

💡 Tip

On request, we can appoint a service provider to dismantle and recycle the product.



E-G-Baumusterprüfbescheinigung

- (1) - Richtlinie 94/9/EG -
 (2) Geräte und Schutzsysteme zur bestimmungsgemäßen Verwendung
 in explosionsgefährdeten Bereichen

(3) **DMT 01 ATEX E 178**

(4) **Gerät: Positionsschalter Typ EX 335**

(5) **Hersteller: Steute Schaltergeräte GmbH & Co. KG**

(6) **Anschrift: D 32567 Löhne**

(7) Die Bauart dieses Gerätes sowie die verschiedenen zulässigen Ausführungen sind in der Anlage zu dieser Baumusterprüfbescheinigung festgelegt.

(8) Die Zertifizierungsstelle der Deutsche Montan Technologie GmbH, benannte Stelle Nr. 0158 gemäß Artikel 9 der Richtlinie 94/9/EG, hat am 2. März 1994, bescheinigt, dass das Gerät die Anforderungen an Sicherheit und Gesundheitsschutz der Geräte und Schutzsysteme zur bestimmungsgemäßen Verwendung in explosionsgefährdeten Bereichen gemäß Anhang II der Richtlinie erfüllt.

Die Ergebnisse der Prüfung sind in dem Prüfprotokoll BVS PP 01.2126 EG niedergelegt.

(9) Die grundlegenden Sicherheits- und Gesundheitsanforderungen werden erfüllt durch Übereinstimmung mit

EN 50014:1997 - A1 - A2 Allgemeine Bestimmungen
 EN 50018:2000 Drucklose Kapselung
 EN 50019:1997-1-14-1998
 EN 50281-1-11:1998 Schutzpositionsschalter

(10) Falls das Zeichen „X“ hinter der Bescheinigungsnummer steht, wird in der Anlage zu dieser Bescheinigung auf besondere Bedingungen für die sichere Anwendung des Gerätes hingewiesen.

(11) Diese EG-Baumusterprüfbescheinigung bezieht sich nur auf die Konzeption und die Baumusterprüfung des beschriebenen Gerätes in Übereinstimmung mit der Richtlinie 94/9/EG.
 Für Herstellung und Inverkehrbringen des Gerätes sind weitere Anforderungen der Richtlinie zu erfüllen, die nicht durch diese Bescheinigung abgedeckt sind.

(12) Die Kennzeichnung des Gerätes muss die folgenden Angaben enthalten:

II 2C EX de IIC T6
II 2D IP65 T 80 °C

Deutsche Montan Technologie GmbH

Essen, den 28. Dezember 2001

BMT-Zertifizierungsstelle
 Fachbereichsleiter

Siehe 1. und 2. zu DMT 01 ATEX E 178
 Diese Zertifikate sind nur zur verbindlichen Auswertung zu verwenden.
 Am Technologiepark 1, 45197 Essen, Telefon (0201)72-1446, Telefax (0201)72-1716



Anlage zur

E-G-Baumusterprüfbescheinigung

DMT 01 ATEX E 178

(13)

(14)

(15) 15.1. Gegenstand und Typ:

Positionsschalter Typ EX 335.

Die Punkte in der Typenbezeichnung werden zur weiteren Unterscheidung hinsichtlich Beteiligung und Konformität durch andere Zeichen ersetzt.

15.2. Beschreibung

Der Positionsschalter ist in der Zäunerschutzart erhöhte Sicherheit „e“ ausgeführt und mit einem in der Zäunerschutzart drucklose Kapselung „d“ ausgeführten Schaltensatz Typ EX 95 ... (DMT 00 ATEX E 093 U) besichert. Der Positionsschalter ist für den Einsatz in durch brennbare Gase oder Sätze gefährdeten Bereichen und einen Umgebungstemperaturbereich von -20 °C bis +60 °C geeignet.

15.3. Kenngrößen

Bemessungsschaltspannung	AC 250 V DC 230 V
Bemessungsschaltstromstärke	AC 6 A DC 0,25 A
Gebrauchskategorie	AC 15 DC 13
Bemessungsschlussvermögen	1,5 mm ²
Umgebungstemperaturbereich	-20 °C bis +60 °C

(16) Prüfprotokoll

BVS PP 01.2126 EG, Stand 28.12.2001

(17) Besondere Bedingungen für die sichere Anwendung:
 Entfällt

Siehe 1. und 2. zu DMT 01 ATEX E 178
 Diese Zertifikate sind nur zur verbindlichen Auswertung zu verwenden.
 Am Technologiepark 1, 45197 Essen, Telefon (0201)72-1446, Telefax (0201)72-1716



(1) **EC-TYPE-EXAMINATION CERTIFICATE**

(Translation)

- (2) Equipment and Protective Systems intended for Use in Potentially Explosive Atmospheres - Directive 94/9/EC
- (3) EC-type-examination Certificate Number:

PTB 00 ATEX 1093 X

- (4) Equipment: Limit switch, type 07-25.1.../J....
- (5) Manufacturer: BARTEC Komponenten und Systeme GmbH
- (6) Address: D-97900 Bad Mergentheim

(7) This document and any acceptable variation thereto are specified in the schedule to this certificate and the documents therein referred to.

(8) The Physikalisch-Technische Bundesanstalt, notified body No. 0102 in accordance with Article 9 of the Council Directive 94/9/EC of 23 March 1994, certifies that this equipment has been found to comply with the Essential Health and Safety Requirements relating to the design and construction of equipment and protective systems intended for use in potentially explosive atmospheres, given in Annex II to the Directive.

(9) Compliance with the Essential Health and Safety Requirements has been assured by compliance with:

EN 50014:1987 EN 50018:1994

(10) If the sign "X" is placed after the certificate number, it indicates that the equipment is subject to special conditions for safe use specified in the schedule to this certificate.

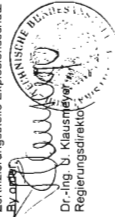
(11) This EC-type-examination Certificate relates only to the design and construction of the specified equipment in accordance with Directive 94/9/EC. Further requirements of this Directive apply to the manufacture and supply of the equipment.

(12) The marking of the equipment shall include the following:

II 2 G EEx d IIC T6 or T5

Zertifizierungsstelle Explosionsschutz

Braunschweig, December 7, 2000



EC-type-examination Certificates without signature and official stamp shall not be valid. The certificates may be circulated only without alteration. Extracts or alterations are subject to approval by the Physikalisch-Technische Bundesanstalt. In case of dispute, the German text shall prevail.

Physikalisch-Technische Bundesanstalt • Bundesallee 100 • D-38116 Braunschweig

sheet 1/4

(13) **SCHEDULE**

(14) **EC-TYPE-EXAMINATION CERTIFICATE PTB 00 ATEX 1093 X**

(15) **Description of equipment**

The limit switch of type 07-25.1.../J.... is used as an auxiliary switch for signal and control circuits. It will comprise one or two interrupting chambers and housings differing in their thermal resistance.

Connection is provided by means of an encapsulated connecting cable (open ended line).

Technical data

Rated insulation voltage ^{a)} up to	500 V
Rated operating voltage U ₀	Type 07-2511-.../J.... and type 07-2561-.../J.... 400 V 250 V
Rated current I ₀ max.	2 A 0.15 A
Related to utilization category	AC-15 DC-13
Rated operating voltage U ₀	Type 07-2521-.../J.... to 07-25221-.../J.... 250 V 250 V
Rated current I ₀ max.	5 A 0.4 A
Related to utilization category	AC-15 DC-13
Rated operating voltage U ₀	Type 07-2521-.../J.... 250 V 250 V
Rated current I ₀ max.	2 A 0.4 A
Related to utilization category	AC-15 DC-13
Rated operating voltage U ₀	Type 07-2521-.../J.... 400 V 250 V
Rated current I ₀ max.	2 A 0.4 A
Related to utilization category	AC-15 DC-13
Rated operating voltage U ₀	Type 07-2521-.../J.... 500 V 250 V
Rated current I ₀ max.	2 A 0.4 A
Related to utilization category	AC-15 DC-13

^{a)} depending on connecting cable used
Provided the making and breaking capacity complies with the relevant conditions, rated values other than those specified above are accepted and will be defined by the manufacturer on the basis of the operating mode, utilization category, etc.

Physikalisch-Technische Bundesanstalt

Braunschweig und Berlin

SCHEDULE TO EC-TYPE-EXAMINATION CERTIFICATE PTB 00 ATEX 1093 X

Contacts depending on switching module 1 or 2 changeover contacts or 1 to 2 break contacts or 1 make contact, 1 or 2 break contacts with positive opening operation

Temperature	≤60 °C	70 °C	75 °C	90 °C
Temperature class	T6			

Type 07-2511-...X0/... and 07-2581-...X0/...

Rated thermal current 7 A -- 3 A --

Type 07-2511-...XX/... and 07-2581-...XX/...

Rated thermal current 6 A -- 2 A --

Temperature class

T6 T5 T6 T5

Type 07-2521-...X0/...

Rated thermal current 5 A 8 A 3 A 3 A

Type 07-2521-...XX/...

Rated thermal current 5 A 6 A 2 A 2 A

The limit switches of type 07-2511- and 07-2581- are designed for a temperature resistance of -55 °C to 100 °C.

The limit switch of type 07-2521- is designed for a temperature resistance of -20 °C to 115 °C.

Nominal conductor cross section 2 to 8 x 1,5 mm²

(16) Test report PTB Ex 00-10203

(17) Special conditions for safe use

The limit switch shall be installed so as to provide for mechanical protection against impact energy in accordance with EN 50014 section 23.4.3.1

The quality of the connecting cable shall satisfy the thermal and mechanical requirements within the functional range.

This EC type-examination certificate as well as any future supplements thereto shall at the same time be regarded as Certificate of Conformity PTB No. Ex-91.C.1083 X.

sheet 3/4

EC-type-examination Certificates without signature and official stamp shall not be valid. The certificates may be cancelled only without alteration. Extracts or alterations are subject to approval by the Physikalisch-Technische Bundesanstalt in case of dispute, the German law shall prevail.

Physikalisch-Technische Bundesanstalt · Bundesstr. 100 · D-38116 Braunschweig

Physikalisch-Technische Bundesanstalt

Braunschweig und Berlin

SCHEDULE TO EC-TYPE-EXAMINATION CERTIFICATE PTB 00 ATEX 1093 X

(18) Essential health and safety requirements

The tests and the favourable results these have produced reveal that the limit switch meets the requirements of directive 94/9/EC as well as those of the standards quoted on the cover sheet.

Zertifizierungsstelle Explosionsschutz

By order:



Dr.-Ing. U. Klausner
Regierungsdirektor

Braunschweig, December 7, 2000

1st SUPPLEMENT

according to Directive 94/9/EC Annex III.6

to EC-TYPE-EXAMINATION CERTIFICATE PTB 00 ATEX 1093 X

(Translation)

Equipment: Limiti switch, type 07-25.1-.../....

Marking:  II 2 G EEx d IIC T6 resp. T5

Manufacturer: BARTEC GmbH

Address: Max-Eyth-Strasse 16, 97980 Mergentheim, Germany

Description of supplements and modifications

The limit switch of type 07-25.1-.../.... is used as an auxiliary switch for signal and control circuits.


Description of changes:

- 1) The name of the manufacturer changed.
- 2) The standards were adapted.
- 3) The EPL marking was added.
- 4) Material name changed.
- 5) An additional casting resin material was added.
- 6) The name of a connection cable changed.
- 7) Additional connection cables were added.
- 8) Added design variation with lateral resp. dual connection cable.

Applied standards

EN 60079-0:2009, EN 60079-1:2007

Applying the above standards will change the marking, as follows:

 **II 2 G Ex d IIC T6, T5 Gb resp. Ex db IIC T6, T5**

Assessment and test report: PTB Ex-10-10255

Zertifizierungssektor Explosionsschutz

On behalf of PTB:


Dr.-Ing. M. Thedens
Oberregierungsrat

Braunschweig, November 11, 2010

ZSSEK101016.dkt

Sheet 1/1

Explosionsschutz-Zertifikate und Prüfprotokolle sind öffentlich zugänglich. Die Zertifikate sind zu beibehalten und dürfen nicht verändert werden. Die Zertifikate sind zu beibehalten und dürfen nicht verändert werden. In case of dispute, the German text shall prevail.

EB 8367 EN



SAMSON AKTIENGESELLSCHAFT
Weismüllerstraße 3 · 60314 Frankfurt am Main, Germany
Phone: +49 69 4009-0 · Fax: +49 69 4009-1507
samson@samson.de · www.samson.de