

Type 3347 Hygienic Angle Valve



Your contact details:

Title:
Name:
Company:
Customer no.

Street:
ZIP/postal code, city:
Country:
E-mail:
Phone:

Ordering spare parts

The spare parts for Type 3347 are listed on the next pages. This document can also be used for ordering:

1. Fill in your contact data and information on the product.
2. Enter the quantity of spare parts needed.
3. Click [Send form] button to attach the PDF form to an e-mail.
4. Attach additional information (e.g. invoice, photos) to the e-mail, if necessary.
5. Send e-mail to spareparts@samsongroup.com.

Either

Configuration ID (Var-ID):

or

SAMSON order no.:

Position in order:

or specifications on the nameplate

(description of the currently valid nameplate ► EB 8097)

Type designation:

Nominal size:

Body material:

Max. permissible pressure at 20 °C temperature:

Flow coefficient:

Characteristic:

Seat-plug seal:

Order no.:

Compliance with food industry requirements:

PED compliance:

Month and year of production:

Send form

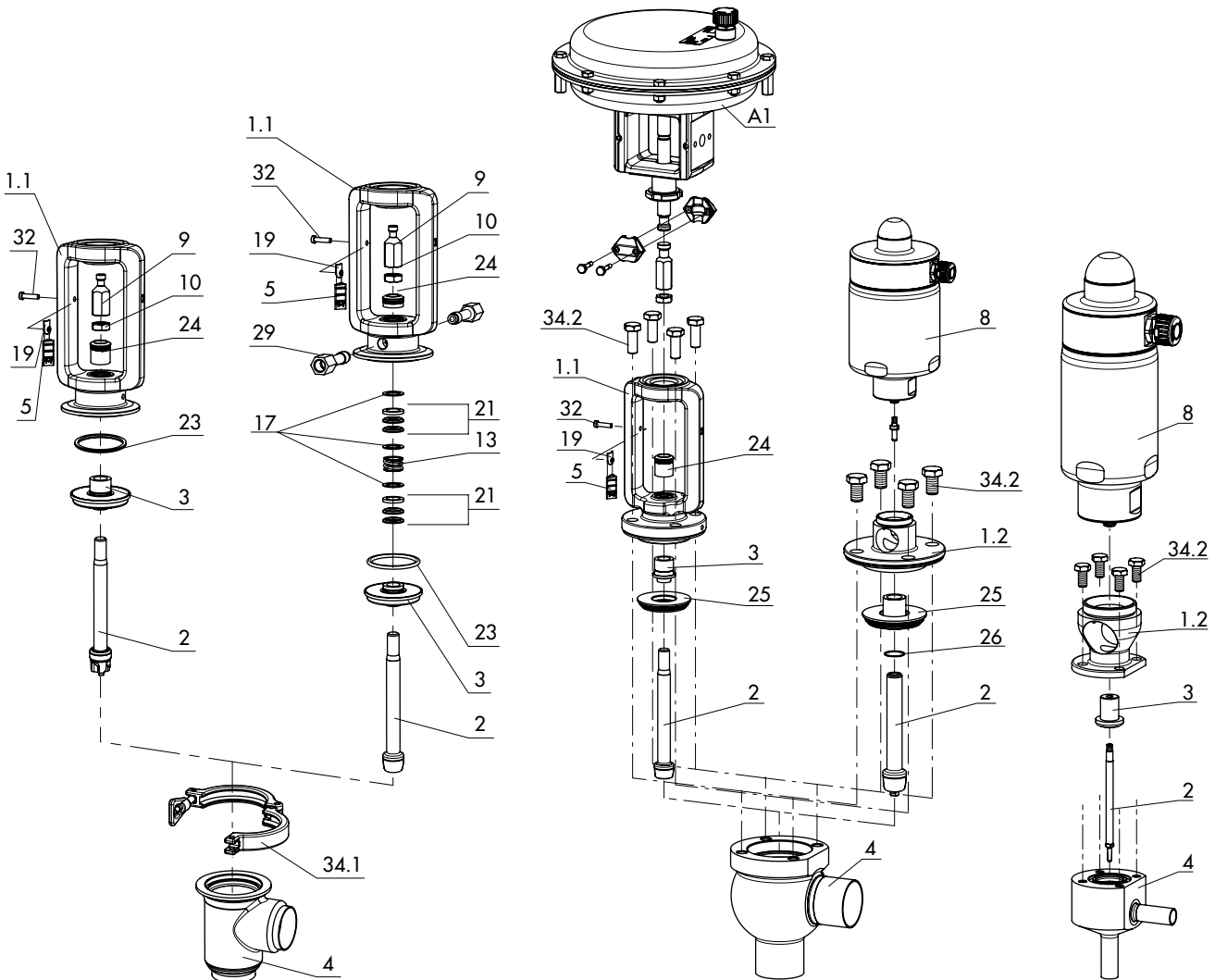
Print form

Clear form

Edition November 2022

Spare Parts List

EL 8097 EN



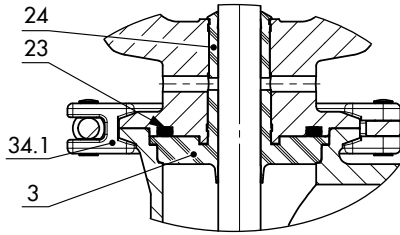
Cast body with PTFE seal without packing (left) and with packing (right)

Bar stock body with PEEK seal (left) and with anti-crystallizing stem seal system (right)

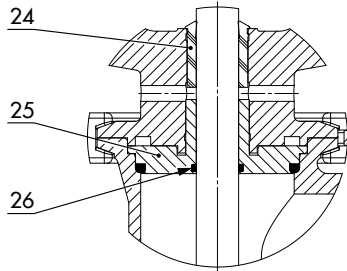
Micro-flow valve version

Overview of seal systems

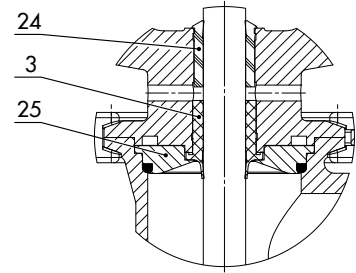
Version with cast body



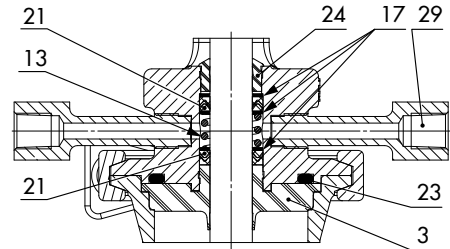
DN 25 to 100 · Version with PTFE stem seal



DN 25 to 100 · Version with anti-crystallizing stem seal system

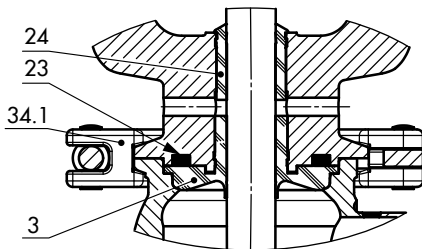


DN 25 to 100 · Version with PEEK stem seal and centering ring

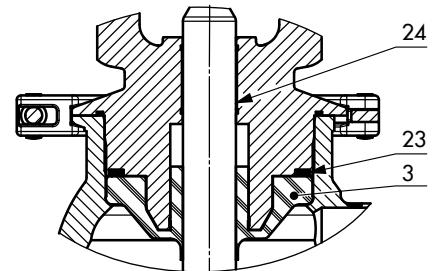


DN 25 to 80 · Version with PTFE stem seal and steam barrier

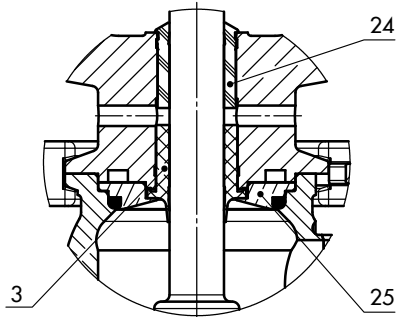
Version with bar stock body



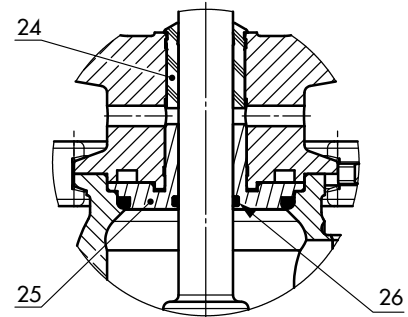
DN 15 to 50 · Version with PTFE stem seal



DN 65 to 125 · Version with PTFE stem seal

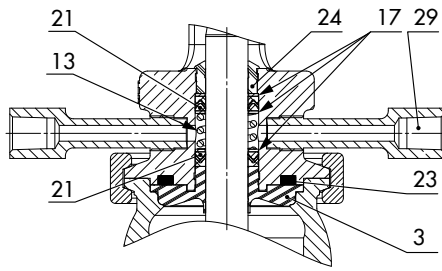


DN 15 to 125 · Version with PEEK stem seal and centering ring

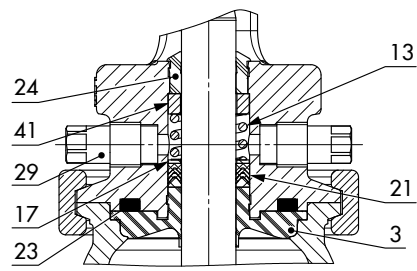


DN 15 to 125 · Version with anti-crystallizing stem seal system

Version with bar stock body



DN 15 to 50 · Version with PTFE stem seal and steam barrier



DN 15 to 50 · Version with PTFE stem seal, PTFE packing and stopper

Spare part no.	Qty.	Filled in by SAMSON: material no.
1.1 Yoke		
1.2 Valve bonnet		
2 Plug		
3 Stem seal		
4 Body		
5 Travel indicator scale		
8 Actuator		
9 Stem connector nut		
10 Lock nut		
13 Spring		
17 Washer		
19 Hanger		
21 Packing		
23 Seal		
24 Bearing bushing/wiper seal		
25 Centering ring		
26 O-ring seal		
29 Nipple/stopper		
32 Screw		
34.1 Clamp		
34.2 Screw		
41 Spacer		

Specifications subject to change without notice