

Pneumatically Operated Valve DN 15 - 80 mm (3/4" - 3")



Cf. 1

Features

- Plastic diaphragm actuator direct assembled with the valve body
- Actuator high resistance to heat transfer
- Smooth exterior design ideal for wash downs
- Control air connection 90° to flow direction
- Flexible diaphragm suspension
- Encapsulated diaphragm
- CDSA sealing concept, see page 32

Optional

- Available with a wide range of control equipment and accessories see page 132 to 139, also for retrofitting

Technical Data

Control function (Cf.): Pneumatically operated
 Fail safe close (NC): Cf. 1
 Fail safe open (NO): Cf. 2
 Double acting (DA): Cf. 3
 At control function NO/DA higher control pressure than required may affect the lifetime of the working diaphragm.

Direction

Control connection: At Cf. 1, 2 & 3, 90° to flow direction, standard
 Max. working pressure: Unidirectional (delta p = 100%)

Diaphragm	DN 15-50 (1/2"-2")	DN 65-80 (2,5"-3")
EPDM	10 bar (150 psi)	7 bar (100 psi)
PTFE	8 bar (115 psi)	6 bar (87 psi)

Higher working pressure may be achieved with different actuator. Please consult a SED factory representative for working pressure above the indicated maximum.

Max. working temperature: S-Version 80°C (176°F)

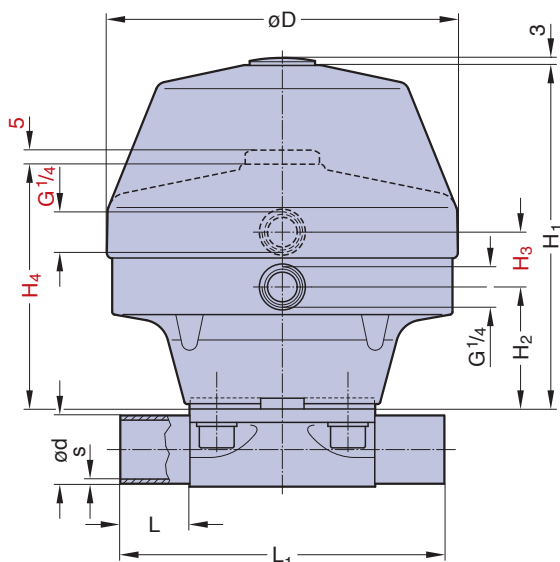
Control pressure:
 Cf. 1 DN 15-50 4,5 - 6 bar (65-87 psi)
 Cf. 1 DN 65-80 4,5 - 7 bar (65-100 psi)
 Cf. 2 & 3 DN 15-80 4 - 5,5 bar (60-80 psi)

Diaphragm material: EPDM or PTFE
 Valve body material: Forged 1.4435/ 316 L ASME/BPE
 Investment cast 1.4435/ 316 L
 Other alloys

End connection: Butt weld ends see fold out page 21
 Clamps and flanges see page 22 to 24
 Special ends

Actuators suitable for: Two-Way bodies
 Welded configurations

Flow rate: Kv in m³/h (Cv in GPM) see page 9
 Diaphragm size: MA see table below



Butt weld ends
 MA 25 - 80
 Fold out page 21

DN (mm)	MA	Dimensions (mm)							D	Total weight ca. (kg)		Filling volume (NL)	
		L	L ₁	H ₁	H ₂	H ₃	H ₄	Investment cast		Forged	NC	NO/DA	
15-25	25	25	120	128	49	31	97	130	1,9	2,0	0,16	0,13	
32-40	40	25	153	176	77	31	131	161	3,8	4,1	0,36	0,28	
50	50	30	173	214	91	31	161	217	8,0	9,0	1,15	0,50	
65	80	30	216	269	121	41	229	265	16,0	18,0	1,15	0,50	
80	80	30	254	269	121	41	229	265	16,0	18,0	1,15	0,50	

Note: H3 and H4 only for valves with Cf. 2 and Cf. 3 H1 only for valve with Cf. 1

Valve type overview see page 26 and 27.
 Ordering key see page 66 to 68.