

### General

The European standard EN 837, Parts 1 and 3, describes the construction of a pressure instrument and its technical specifications (size, readout range and accuracy class) as well as the design of the dials used.

### Dial versions

In addition to the dial according to EN 837 shown in Fig. 1, other dials with various ranges and units are available:

- Linear or square root division
- Customized inscriptions
- A maximum of four attachable dial plates supplied with the meter for various media and applications
- Units such as m<sup>3</sup>, kg, liter, %, mm WC, inch H<sub>2</sub>O, mbar, bar, m<sup>3</sup>/h, kg/min
- Others customized details

Options to customize the dials include customer logos, colored markings for limits and other customized details (adapted to the application).

Such customized dials allow the scale for liquid level measurement, for example, to be calculated based on the tank geometry and adapted accordingly. The dial plate is then delivered ready adapted to the specified range.

### Attachable dial plates

To allow a differential pressure and flow meter to be used for several different kinds of application, SAMSON offers attachable dial plates. The appropriate dial plate then just needs to be attached over the main dial plate.

A differential pressure and flow meter can be fitted with up to five different dial plates in this way. The attachable dial plate is placed on top of the main dial plate to adapt the meter to the application at hand.

The ordered attachable dial plates are stored behind the main dial plate.

To use an attachable dial plate, the meter's case cover merely has to be removed. The pointer does not need to be removed. The dial plates just need to be placed over the front dial plate. The main dial plate has three small studs to hold the attachable dial plates.

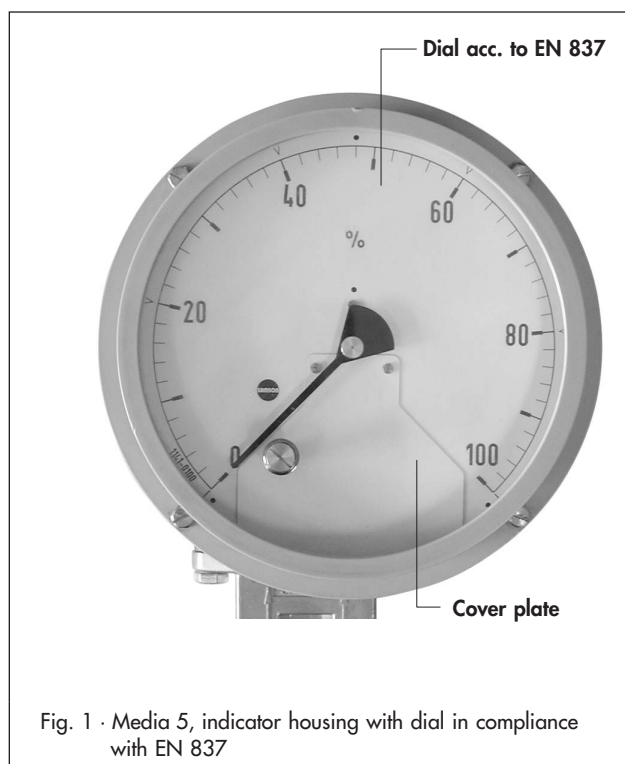


Fig. 1 · Media 5, indicator housing with dial in compliance with EN 837

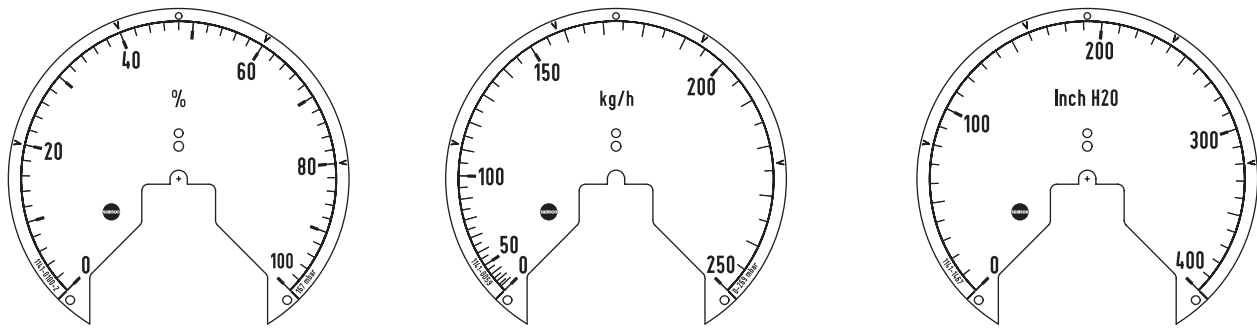
The cover plate at the bottom of the dial is secured by two screws. Relevant data can be printed on the cover plate, if required. The dials with cover plate can be ordered using the corresponding order numbers.

Table 1 · Scale ranges on dials according to EN 837 and DIN 19204

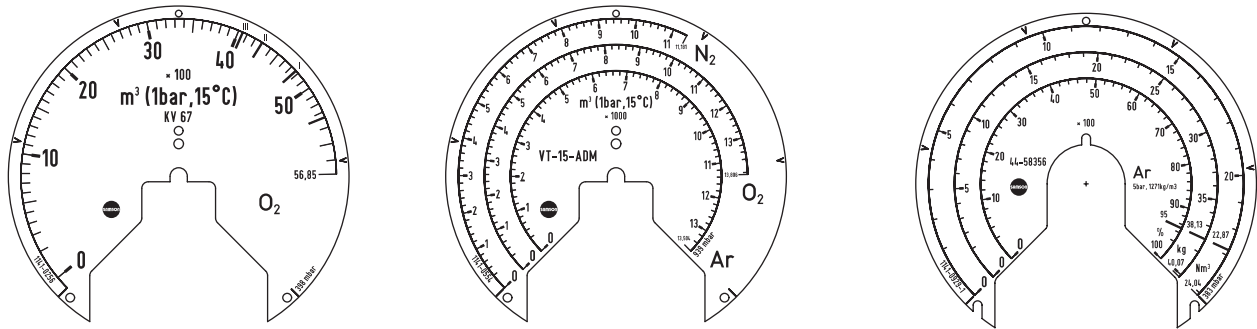
0 to 0.6	0 to 1	0 to 1.6	0 to 2.5	0 to 4
0 to 6	0 to 10	0 to 16	0 to 25	0 to 40
0 to 60	0 to 100	0 to 160	0 to 250	0 to 400
0 to 600	0 to 1000	0 to 1600		

The factors ×10, ×100 and ×1000 are used for larger values.

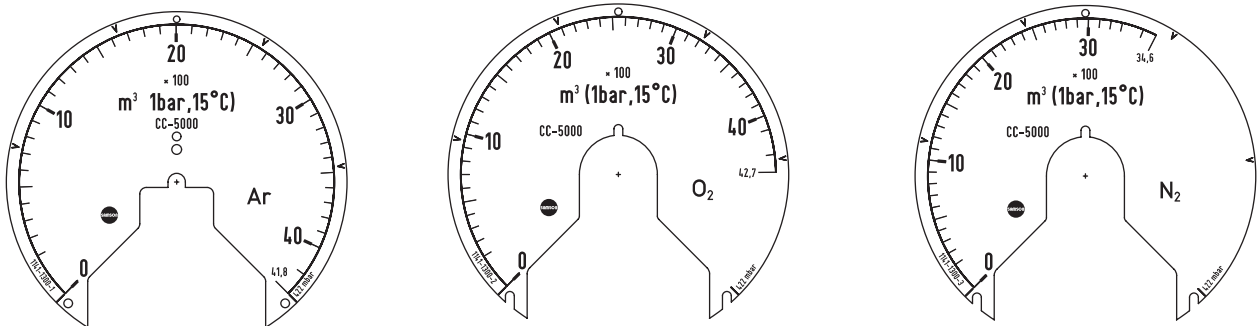
Sample inscriptions and numbering of dials and cover plates



Dials with inscriptions according to EN 837 and DIN 19204

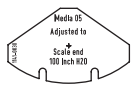


Dials with customized inscription

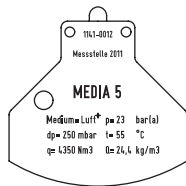


Main dial plate

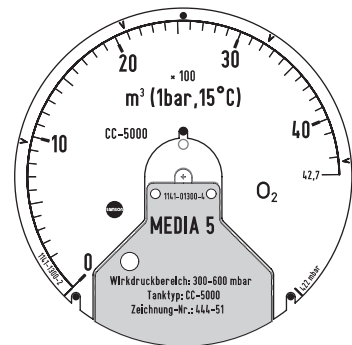
Attachable dial plates with customized inscription



Cover plate for dial of Media 05



Cover plate for dial of Media 5



Media 5 · Attachable dial plate with cover plate

Cover plates with inscription

Fig. 2 · Dials and cover plates

**Order text**

Dials for Media 5/05 Differential Pressure and Flow Meter · Order no.: M5005- \_ \_ \_

**Article code**

Add the code specified for the selected version to the order number.

**Product configuration**Order no.: **M5005** –

	Media 5		Media 05	
<b>Media ...</b>				
Media 5, indicator Ø 160 mm	0			
Media 05, indicator Ø 100 mm			1	
<b>Dials</b>				
Dial with inscription according to EN 837 (see Table 1)	00		04	
Dial with customized inscription	01		05	
Main dial plate and two attachable dial plates with customized inscription	02		06	
Main dial plate and three attachable dial plates with customized inscription	08		–	
Main dial plate and four attachable dial plates with customized inscription	09		–	
Dial (0190-4629) without inscription	03		07	
<b>Cover plate</b>				
Plain cover plate without inscription		00		03
Cover plate with inscription (details required)		01		04

**Additionally required ordering details**

Dial for

Media 5 —

Media 05 —

Liquid level measurement —

Flow rate measurement —

Start of scale on dial —

End of scale on dial —

Characteristic Linear, square root, based on tank geometry etc.

Medium Water, air, steam, Ar, O<sub>2</sub>, N<sub>2</sub>, CO<sub>2</sub> etc.Unit m<sup>3</sup>, kg, liter, %, mm WS, inch H<sub>2</sub>O, mbar, m<sup>3</sup>/h, kg/h etc.

Differential pressure 0 to ... mbar or other specifications

Marking e.g. red markers at 135

Customized dials

Customer logo With <sup>1)</sup>, including/not including details on logo position

Cover plate with inscription e.g. tag 2011A

<sup>1)</sup> Exact details of source required or the corresponding graphics must be provided.

To order dials for liquid level measurement, use the Specification Sheet T 9545-9 EN to specify the operating pressure and unit required to allow the tank characteristic to be calculated for the application.

Specifications subject to change without notice.

---



SAMSON AG · MESS- UND REGELTECHNIK  
Weismüllerstraße 3 · 60314 Frankfurt am Main · Germany  
Phone: +49 69 4009-0 · Fax: +49 69 4009-1507  
Internet: <http://www.samson.de>

**T 9545 EN**

2011-09