

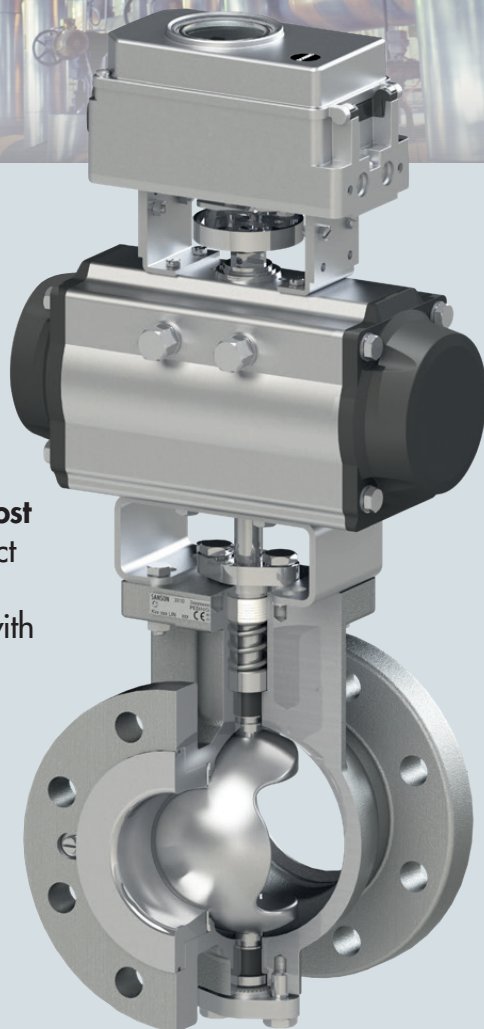
Type 3310 Segmented Ball Valve

SAMSON



ADAPTABLE:
ONE SOLUTION,
MANY CHALLENGES

- **Easy integration into existing systems and reduced overall cost**
Lower weight and more compact dimensions compared to globe valves and even rotary valves with diaphragm actuators.
- **One valve type for different applications and environments**
Different configurations with electric or pneumatic actuator, certified seals (FDA, EN 1935), various seat seals are available.



EFFICIENT:
GREATER PRECISION
WITH LESS WASTE

- **Optimized flow and precise control**
The combination of high rangeability (>400:1) and a precise positioner, allows the customer to be in full control of the fluid.
- **Lower energy consumption and reduced risk of clogging**
At full opening, the valve has an unobstructed flow path.

The Type 3310 has short delivery times thanks to optimized parts management.

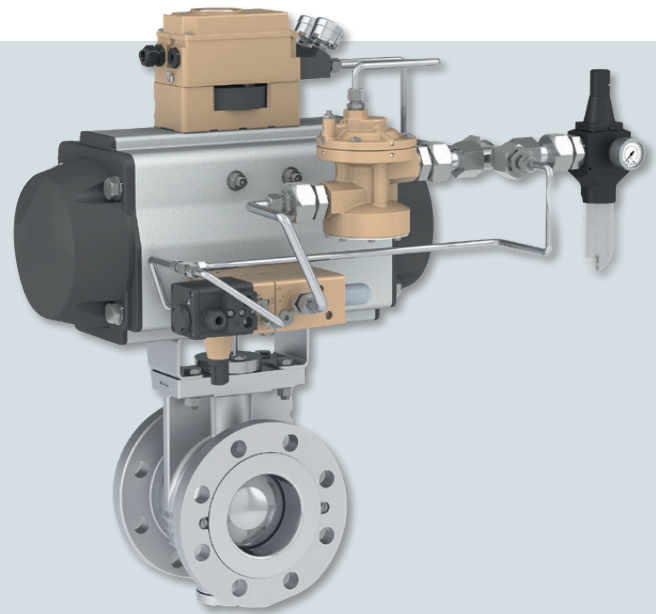
SMART IN FLOW CONTROL

Type 3310 Segmented Ball Valve



New features and updates

- New metal seat E (for enhanced duty)
 - Extended application range thanks to better mechanical resistance to higher differential pressures
 - Stellite®-faced seat as standard, special materials available
- New packing system certified according to ISO 15848 (optional)
- New plug guiding system as standard
 - Improved overall mechanical resistance and sealing ability of the plug
 - Longer lifetime
- Versions for abrasive and corrosive media (e.g. fertilizer production)



Seat designs			
"S" PTFE	"S" PEEK	"A" ARCAP®	"E" Enhanced
Soft, Class VI	Soft, Class VI	Metal, Class IV	Metal, Class IV
Typical processes and applications			
Universal solution for standard process conditions Best shut-off performance	Best compromise between shut-off performance and mechanical resistance Suitable for oxygen and F&B applications	Suitable for high-temperature applications and standard process conditions or basic fluid applications	Most reliable solution for standard to enhanced-duty process conditions
Gases, water, chemicals	Low-pressure dry steam, utilities e.g. in food and beverage, pulp and paper applications	Low-pressure liquids and gases	Steam, processes with challenging start-up conditions etc.

SAMSON AKTIENGESELLSCHAFT

Weismuellerstrasse 3 · 60314 Frankfurt am Main, Germany
 Phone: +49 69 4009-0 · Fax: +49 69 4009-1507
 E-mail: samson@samsongroup.com
 Internet: www.samsongroup.com